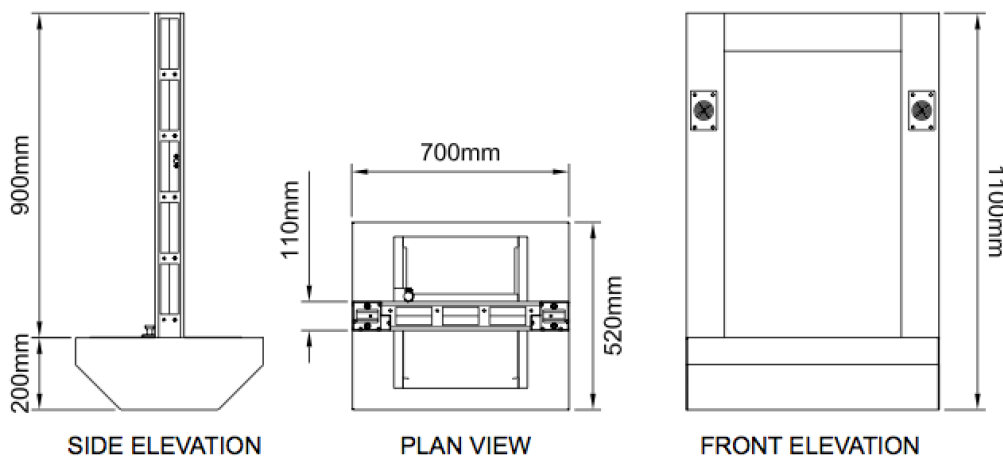


Physical Attack Resistant Security Window - PASW



Description

The PASW is a physical attack Security Window incorporating a Deep Tray with Locking Lid or Combination Tray. Electronic speech transfer enables ease of installation the BSW is available in standard and bespoke sizes.

Specification

EN 356 P6B Glazing. Suggested wall aperture 705mm x 1110mm. Welded stainless steel construction.

Applications

High end security, ticket offices, lone worker scenarios, council offices.

Please note a Bullet Resistant version incorporating EN 1063 BR4 SG1 Glazing is available as an alternative to the Physical Attack glazing called BRSW.